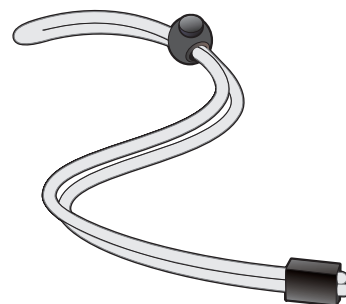
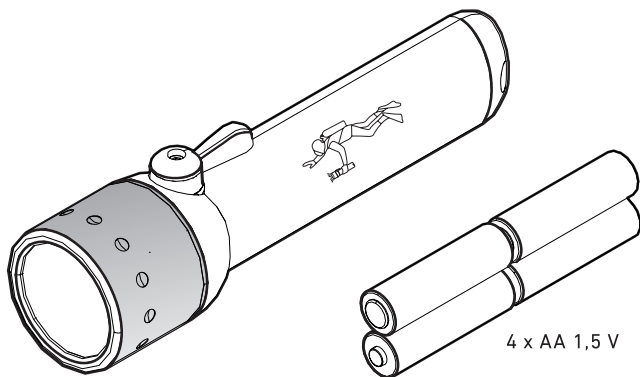
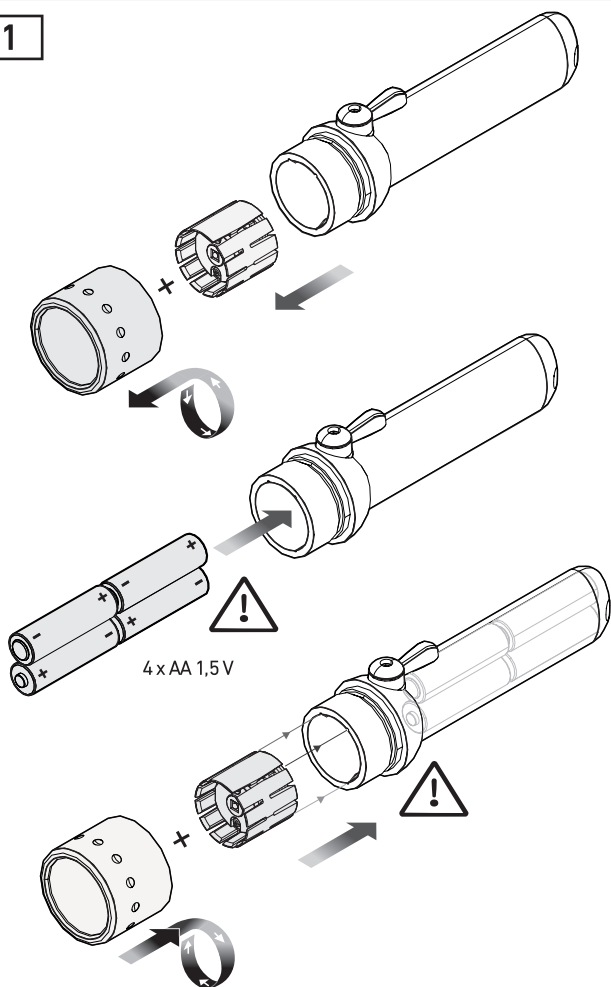


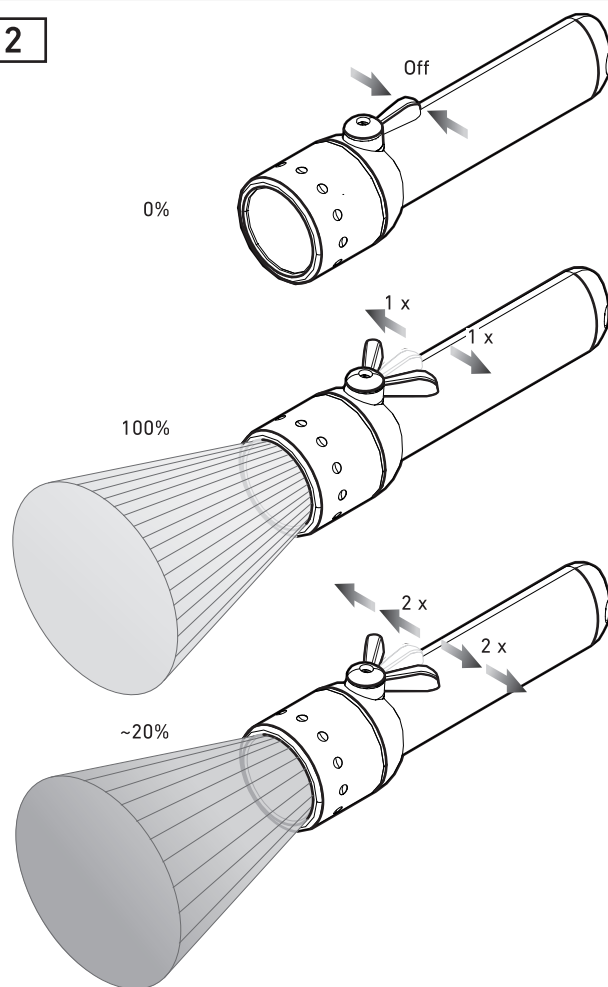
# LEDLENSER D14.2/D14 Daylight



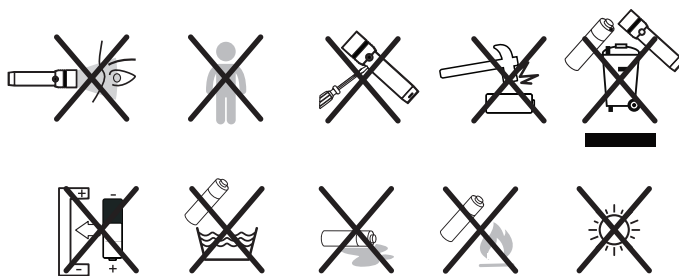
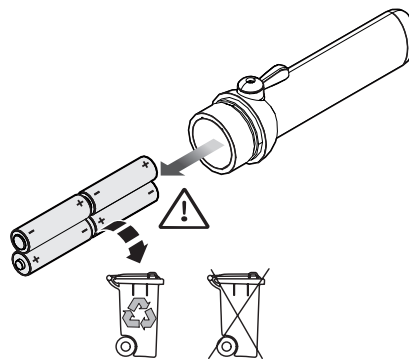
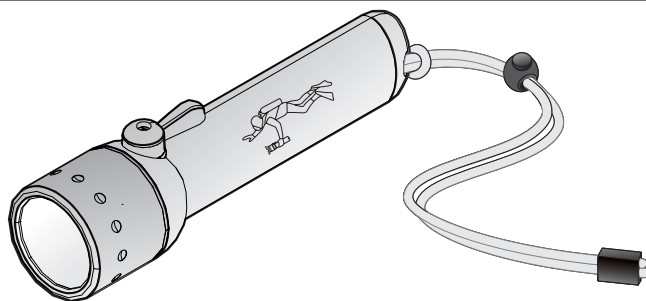
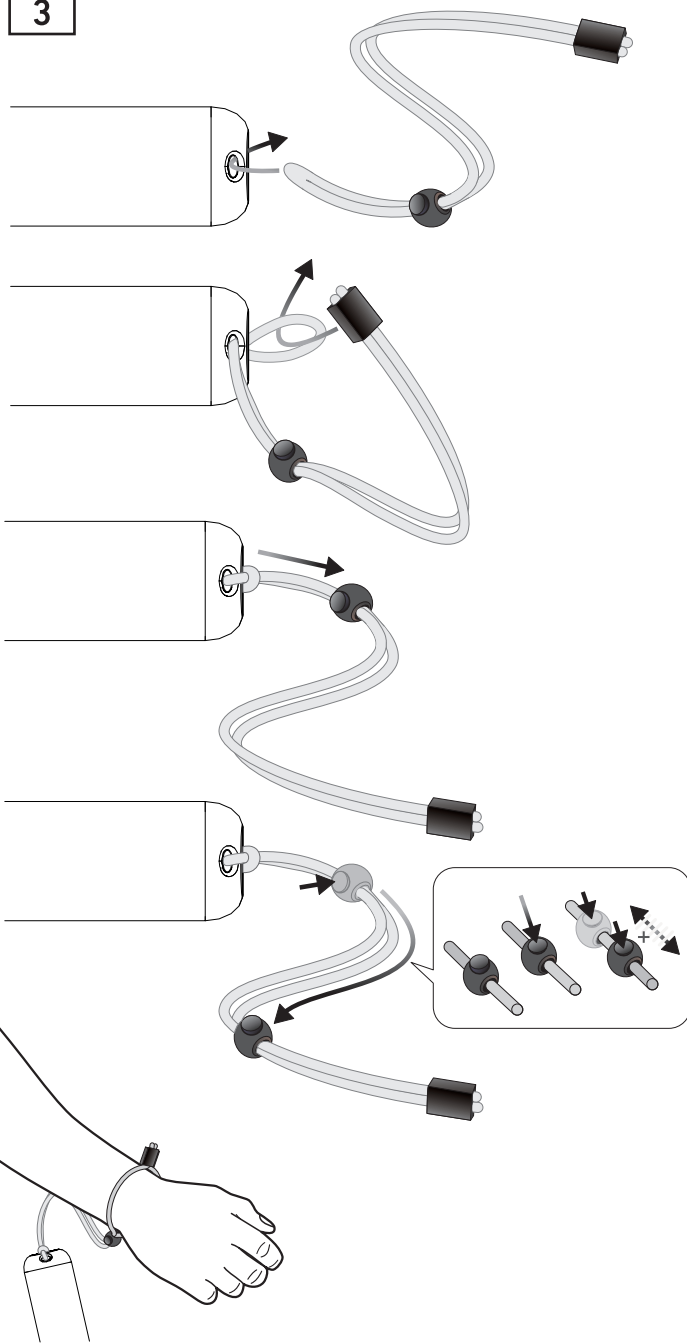
1



2



3



**Ledlenser GmbH & Co. KG**  
 Kronenstr. 5-7 • 42699 Solingen • Germany  
 Phone +49 212/5948-0 Fax +49 212/5948-200  
 info@ledlenser.com



www.ledlenser.com



D14.2/D14 Daylight\_V.03  
 01.11.2017